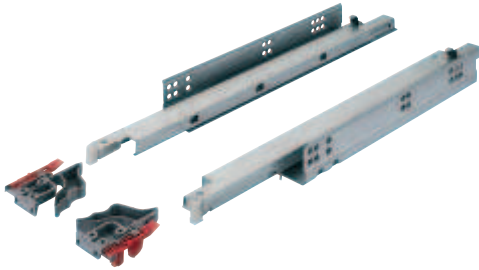


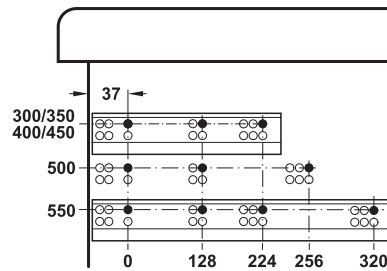
Full extension

Load bearing capacity up to 30 kg,
with soft and self closing mechanism



- Adjustment facility: max. height adjustment +3 mm at snap-in coupling
- Material: Steel
- Finish: Pre-galvanized
- Dimensions: max. drawer width SB = internal cabinet width – 41 mm + 2 x drawer side thickness, tolerance specification: Width +1 mm, –0.5 mm, depth ±2 mm
- Installation: At drawer, base mounted

Drilling pattern

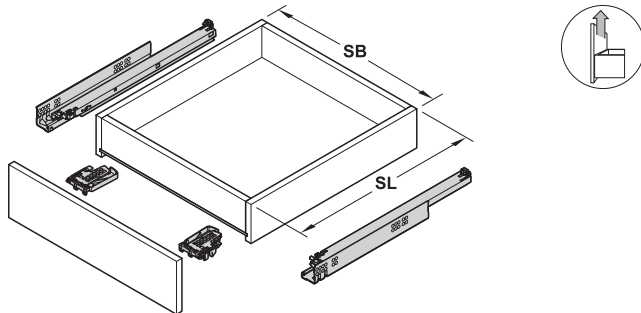


Note

min. installation length with front drawers = nominal length + 18 mm

Supplied with

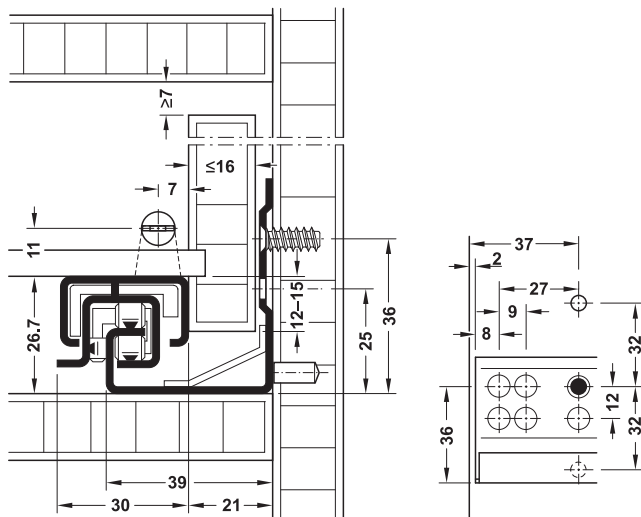
- 1 Pair of drawer runners
- 1 Pair of snap-in couplings



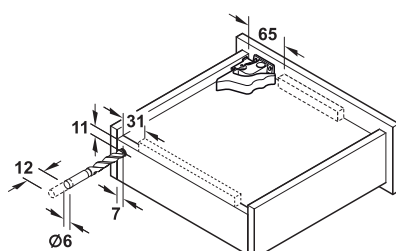
Nominal length mm	Drawer length SL mm	Cat. No.
300	300	433.10.133
350	350	433.10.138
400	400	433.10.143
450	450	433.10.148
500	500	433.10.153
550	550	433.10.158

Packing: 1 or 5 pairs

Installation



Drawers and pull outs



Runners and snap-in coupling

